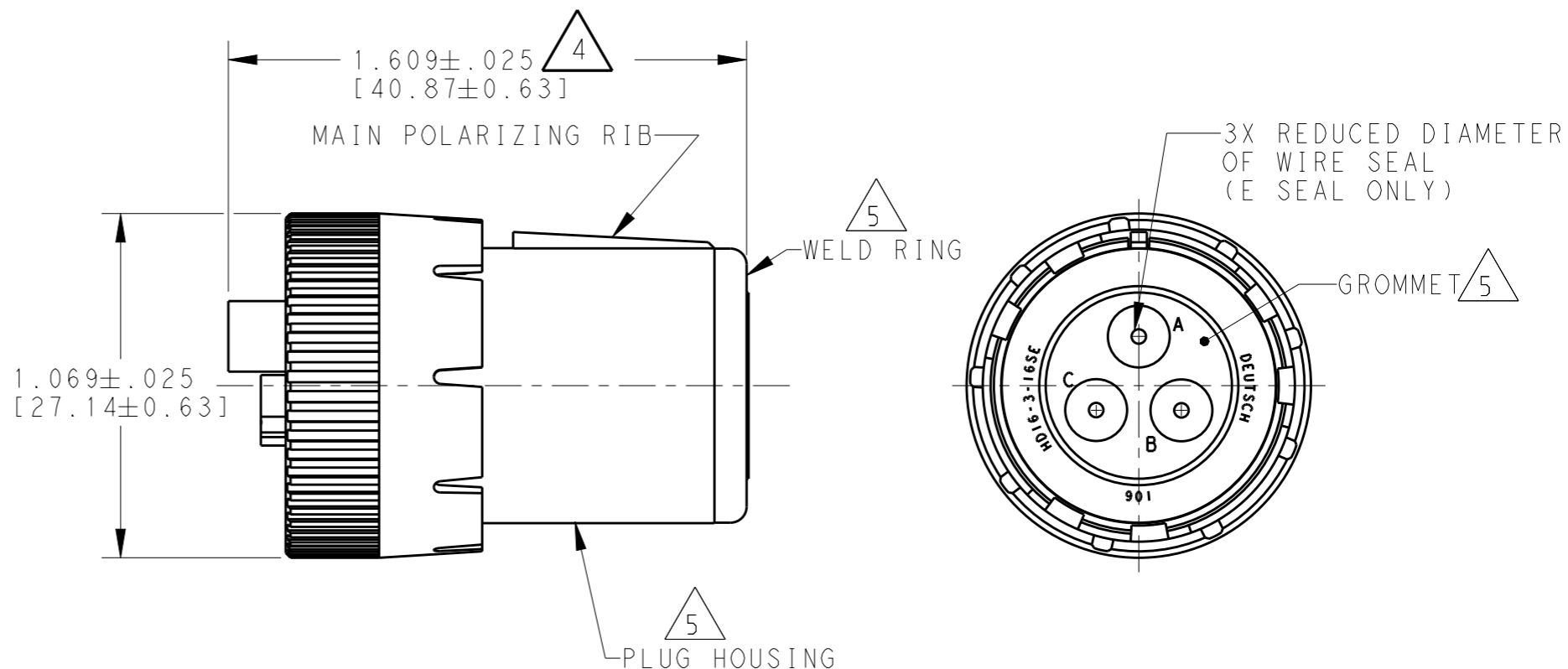
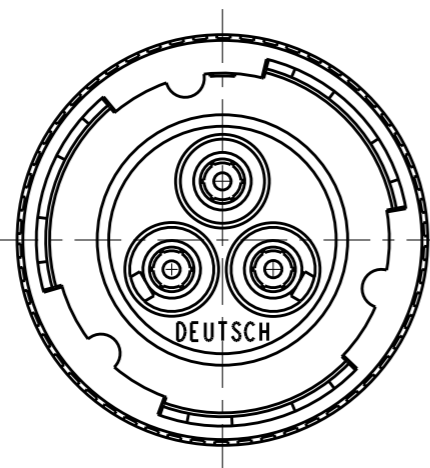
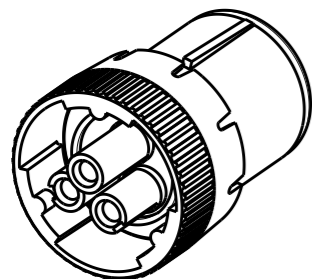


THIS DRAWING IS UNPUBLISHED  
 RELEASED FOR PUBLICATION 2013  
 © COPYRIGHT 2013 BY TE CONNECTIVITY. ALL RIGHTS RESERVED.

LOC	DIST	P	LTR	DESCRIPTION	DATE	DWN	APVD
-	-		A	REVISED PER E.O. P19535	14MAY2007	-	RDR
			B	REVISED PER E.O. P21133	29SEP2011	-	RDR
			C	REVISED PER E.O. P21366	4JUN2012	-	RDR
			C1	REVISED PER ECO-14-002953	29JAN2014	PV	DM



5. MATERIAL:  
 PLUG HOUSING AND WELD RING: PA 15%GF (GREY)  
 GROMMET: SILICONE (RED)

4. OVERALL DIMENSION DOES NOT INCLUDE RUBBER GROMMET.

3. THIS PLUG MATES WITH FOLLOWING RECEPTACLES (X = SEAL TYPE, XXXX = ALL MODIFICATIONS).  
 HD10-3-96PX-XXXX  
 HD14-3-16PX-XXXX  
 HD14-3-96PX-XXXX

2. SEE DRAWING 0425-015-0000 FOR CONTACT AND WIRE PERFORMANCE AND APPLICATION CHARACTERISTICS.

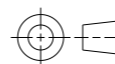
1. SEE TABLE FOR USABLE WIRE RANGE AND INSUALTION RANGE.

PART NUMBER	SEAL TYPE	CONTACT SIZE	MINIMUM O.D.	MAXIMUM O.D.	WIRE RANGE AWG [mm] 1/2
HD16-3-16S	'BLANK'	16	.100 [2.54]	.150 [3.81]	20 - 14 [.5 - 2.0]
HD16-3-16SE	E	16	.053 [1.35]	.120 [3.05]	20 - 14 [.5 - 2.0]

NOTES:

THIS DRAWING IS A CONTROLLED DOCUMENT.

DIMENSIONS: INCHES [mm]



TOLERANCES UNLESS OTHERWISE SPECIFIED:  
 0 PLC ±  
 1 PLC ±  
 2 PLC ±  
 3 PLC ±.005  
 4 PLC ±  
 ANGLES ±0° 30' 0"

MATERIAL



FINISH

DWN 9MAR2006 R. MESSENGER  
 CHK 17SEP2013 I. GRANTCHAROVA  
 APVD 19SEP2013 D. MEYER

PRODUCT SPEC -  
 APPLICATION SPEC -  
 WEIGHT 14.70 (g)  
 Customer Drawing

**STE** TE Connectivity

NAME: PLUG CONNECTOR  
 HD10 SERIES 3-16 ARRANGEMENT  
 COLOR: GREY

SIZE: A3 CAGE CODE: 00779 DRAWING NO: HD16-3-16SX RESTRICTED TO: -

SCALE: 2:1 SHEET: 1 OF 1 REV: C1